

Feature :

- Water proof IP67 sealed
- Full color LED illuminated available
- Long electrical life cycles
- SMT and vertical PCB terminal

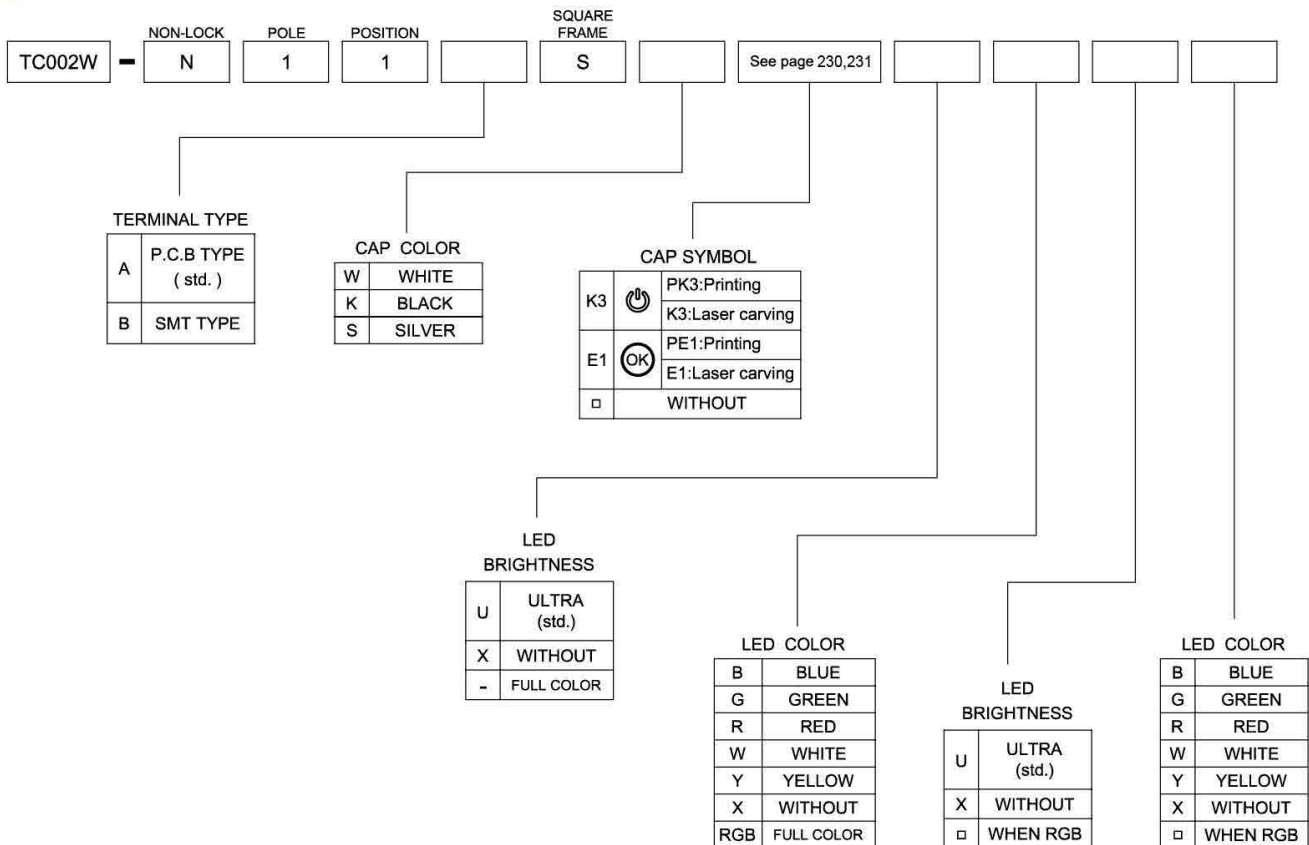
Application :

- Consumer products
- Computer products
- Instrumentation
- Communication equipments



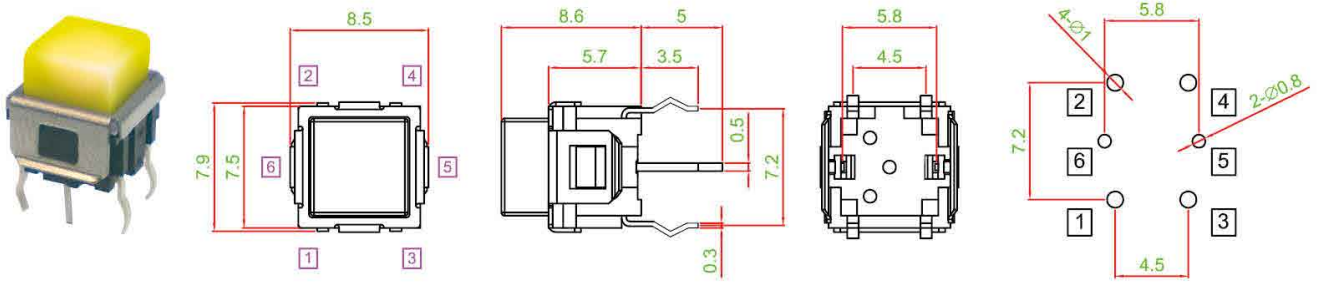
SWITCH SPECIFICATIONS		LED SPECIFICATIONS								
POLE - POSITION	1P1T , with LED	<p>ATTENTION LEDs are Electrostatic Sensitive devices</p> <p>(+) ○ (-) ○ (-) ○ (+)</p>	Unit	Value / LED Color						
CONTACT RATING	12 V DC , 50 mA			Blue (5mA)	Pure Green	Red	Yellow	Orange	Green	White
CONTACT RESISTANCE	100 mΩ MAX. 1.5 V DC ; 100 mA , by Method of Voltage DROP	LUMINOUS INTENSITY@20mA Iv	mcd	25	180	200	200	250	55	250
INSULATION RESISTANCE	100 MΩ MIN. 500 V DC	Dominant Wavelength λD	nm	470	525	630	590	601	567	/
DIELECTRIC STRENGTH	Breakdown is not Allowable ; 500 V AC for 1 Minute	FORWARD VOLTAGE@20mA Vf	V	2.8	3.2	1.95	2	2.1	2.1	4
OPERATING FORCE	300 ± 100 gf	<p>■ A single bin cannot be ordered, please contact us in advance if you need a particular bin sorting before placing your order to clarify the lead time, MOQ and pricing</p>								
OPERATING LIFE	500,000 cycles									
OPERATING TEMPERATURE RANGE	-40°C ~85°C									
TOTAL TRAVEL	0.4 ± 0.1 mm									
SEALING	IP67									

HOW TO ORDER

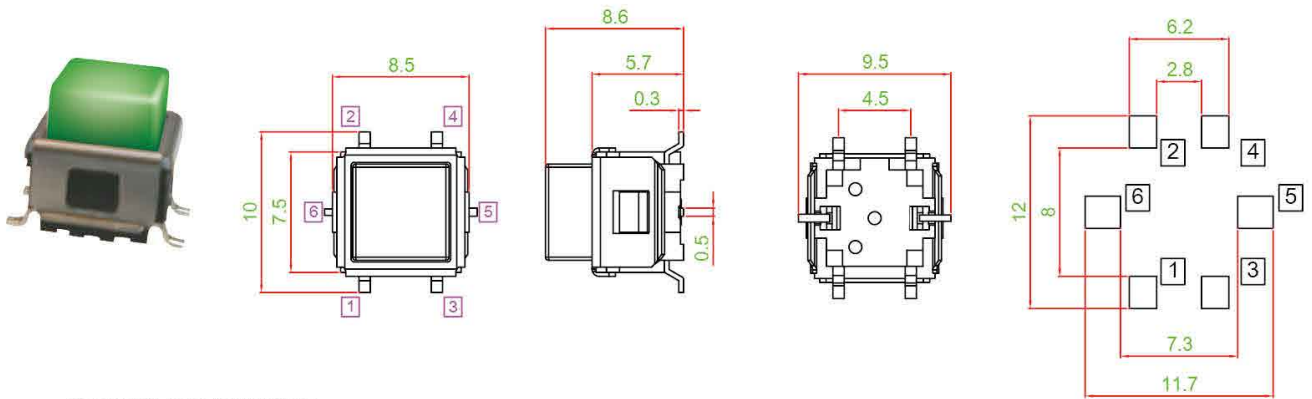


DIMENSION

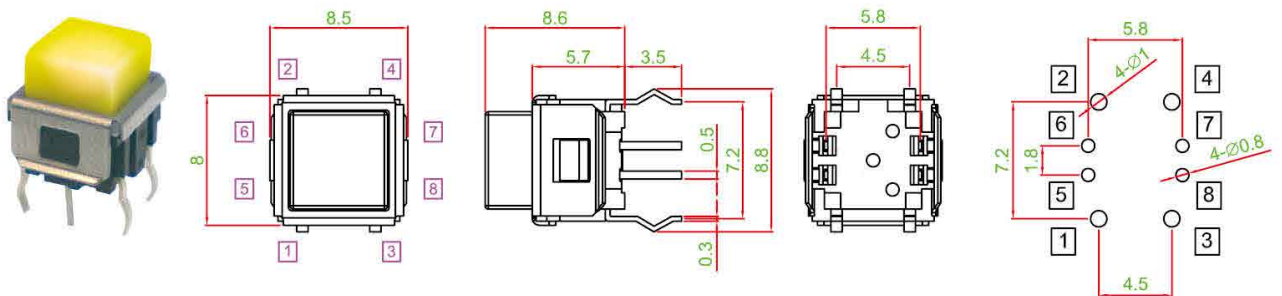
• TC002W-N11ASW □□□□



• TC002W-N11BSW □□□□



• TC002W-N11ASW-RGB



CIRCUIT

